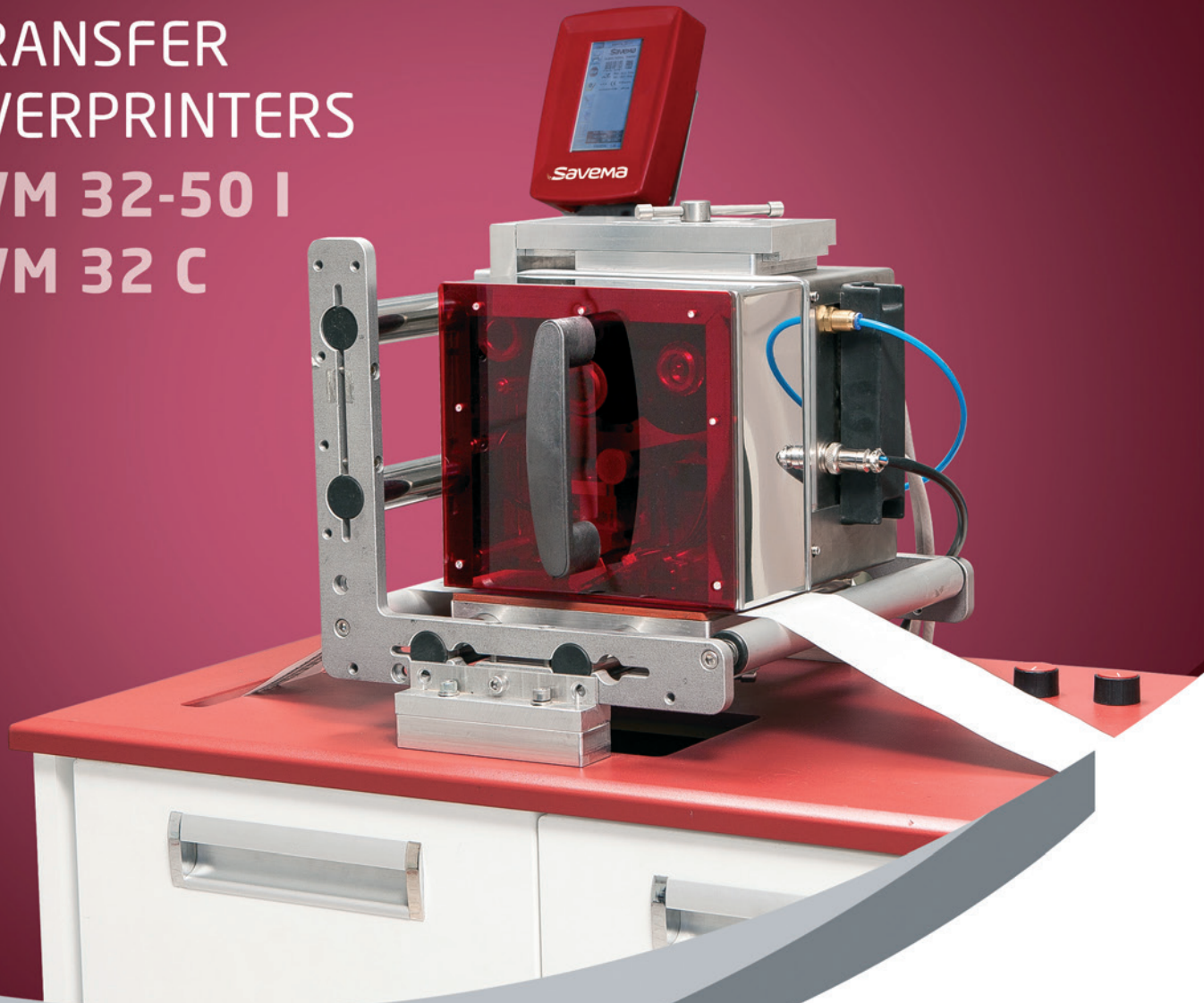


# THERMAL TRANSFER OVERPRINTERS SVM 32-50 I SVM 32 C



## SPECIFICATIONS

The 32-50 I and 32 C high performance, low cost thermal transfer printers are versatile enough for printing fixed and variable text, data and graphics. It is ideal for reproducing bar codes, real time, sell-by dates, batch numbers, prices, source codes and much more. The 32-50 I and 32 C has two component models of bracket can be easily integrated to the machines such as vertical and horizontal form-fill-seal systems, primary labellers, thermo formers and overwrapping equipments. The units are suitable for all intermittent and continuous applications within the food, pharmaceutical cosmetics and automobile spare parts industries has the capability to code all kinds of 1D barcodes and 2D datamatrix codes.

## KEY FEATURES

- Patented long life mechanical design needs no maintenance
- 32mm x 50mm print area for intermittent and 32x125 mm for continuous
  - 600m ribbon capacity
  - Print Quality 300dpi (12 dot / inch).
  - Up to 450mm per second print speeds
- The USB can be used to:
  - Move messages and configurations between printers for local based set-up
  - Back-up and restore messages and printer settings
- Large memory for all label formats to be stored locally.

# Savema

Marking and Coding Machines  
[www.savema.com.tr](http://www.savema.com.tr)

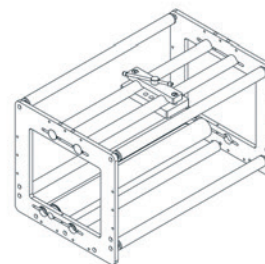
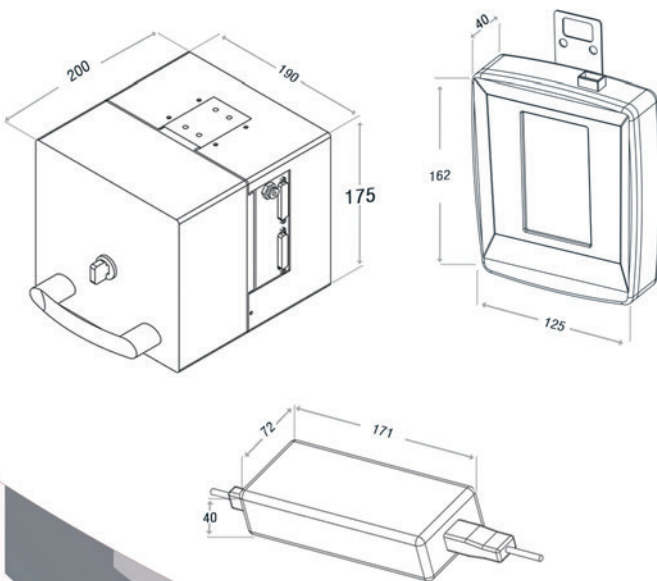
# SVM 32-50 I // SVM 32 C

## Specifications

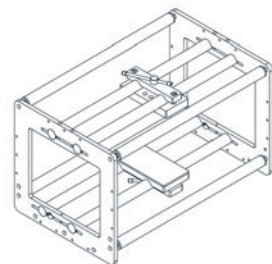
	32-50 I	32 C
Print Area	Width 32mm	Width 32mm
	Length 50mm	Length 125mm
Resolution	12 dots/mm (300dpi) horizontally and vertically	
Print Speed	Up to 400mm/second	450 mm/second
Production	300 prints/min (in one line) 400 prints/min	
Thermal Ribbon	600 meter (656 yds.) loaded ribbon	
Memory	350 text memory	
	USB standart	
Power Supply	110/220V 50/60 Hz	
Air Supply	min. 1 bar - max. 4 bar	
Weight (printer)	5,6 kg	
Dimensions	175mm H x 190mm W x 200mm D	
Outputs	Machine on error (failsafe) - image ready, power on, print per minute etc	
Ribbon Widths	22 mm and 35 mm. (0,9" -1,4")	
Operating Temperature	5°- 50°C (41° -104°F)	
Control Panel	4,3" Touch Screen Panel	

## Programming

Fields	Real DATE/Time, Text, Barcode, 2D Barcodes, Logo, Counter (Serial No), Shift Code, Shape, Currency
Barcodes	1 D Barcodes (EAN-13, EAN-8, CODE 128, CODE 39, ITF -2of 5, ITF 14, CODABAR UPC-A, UPC-E)
	2 D Barcodes (Datamatrix, QR Codes, PDF 41 7, Aztec code, Semacode, Macro PDF 417)
Communications	RS-232 (PC), LAN, USB Multi-language (12) support standard
Pc Programmes	SAYASIS Label Program



continuous



Intermittent

